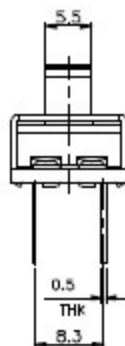
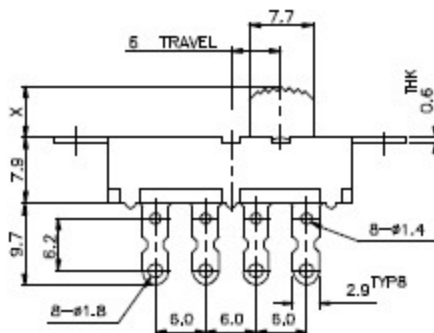
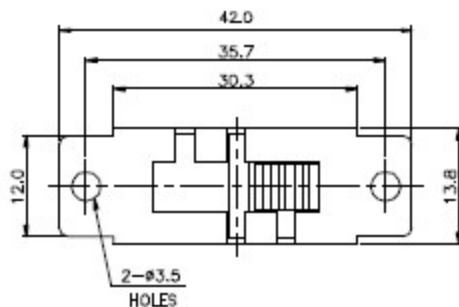


NON-SHORTING  
SCHEMATIC



MARKING:

SIDE A:

SIDE B: U11 AC 125V 11A  
AC 250V 5.5A

X=

ISSUED	SPECIFICATION (INITIAL)	TITLE: SLIDE SWITCH 2P3T
	RATING: AC 125V 11A 250V 5.5A	MODEL NO: U11SS-23L05-G
	CONTACT RESISTANCE: MAX. 30mΩ	UNIT: m m DWG
	INSULATION RESISTANCE: 500MΩ AT 500V DC	SCALE: 2 : 1 ORN'D
	WITHSTAND VOLTAGE: AC 1000V FOR 1 MIN	TOLERANCE: ±0.20
	OPERATION FORCE: 400 ± 150 g	APPD.
	SWITCHING LIFE: 10000 Cycles(8-10c/m loading)	
BY:	毅永企業有限公司 E-YUNG ENTERPRISE CO., LTD.	DRWG NO:
DATE:		930204-05

The material contained in this drawing is the property of PIC. Any use other than that specifically authorized by PIC is prohibited. The above drawing is subjected to change for improvement without prior notice.

ENCF-51