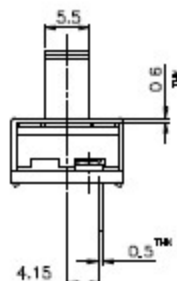
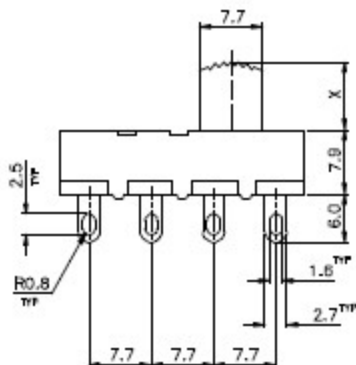


NON-SHORTING
SCHEMATIC



(WITH U11,UL & C-UL LOGO)

X=

| ISSUED | SPECIFICATION (INIMAL) | TITLE: SLIDE SWITCH 1P3T |
|--------|---|---------------------------|
| | RATING: AC 125V 11A AC 250V 5.5A | MODEL NO: U115S-13L02-G |
| | CONTACT RESISTANCE: MAX. 30mΩ | UN: m m DWN W.X.HU 9/1/03 |
| | INSULATION RESISTANCE 500MΩ AT 500V DC | SCALE: 2 : 1 CHD |
| | WITHSTAND VOLTAGE, AC 1000V FOR 1 MIN | TOLERANCE: ±0.20 APPL |
| | OPERATION FORCE: 400 ± 200 g | |
| | SWITCHING LIFE: 10000 Cycles(8-10c/m loading) | |
| BY: | 毅永企業有限公司 E-YUNG ENTERPRISE CO., LTD. | DRAW NO |
| DATE: | | A30022-00 |

The material contained in this drawing is the property of PIC. Any use other than that specifically authorized by PIC is prohibited. The above drawing is subjected to change for improvement without prior notice.

ENGF-51