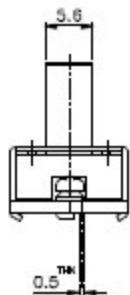
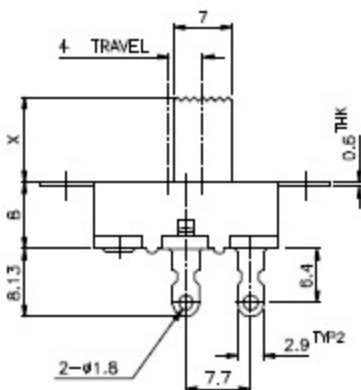
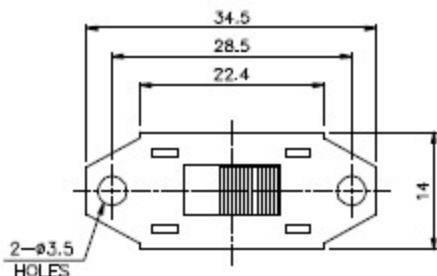


NON-SHORTING
SCHEMATIC



MARKING: SIDE A:

SIDE B: U11 AC 125V 11A
AC 250V 5.5A

X =

ISSUED	SPECIFICATION (INITIAL)	TITLE: SLIDE SWITCH 1P1T
	RATING: AC 125V 11A AC 250V 5.5A	MODEL NO: U11SS-11P02-G(A)
	CONTACT RESISTANCE: MAX. 30mΩ	UNIT: m m DWN
	INSULATION RESISTANCE: 500MΩ AT 500V DC	SCALE: 2 : 1 CHK'd
	WITHSTAND VOLTAGE: AC 1000V FOR 1 MIN	TOLERANCE: ±0.20 APPD.
	OPERATION FORCE: 400 ± 200g	
	SWITCHING LIFE: 10,000 Cycles(6-10c/m loading)	
By:	較永企業有限公司 E-YUNG ENTERPRISE CO., LTD.	DRAWING NO:
DATE:		930171-05

The material contained in this drawing is the property of PIC. Any use other than that specifically authorized by PIC is prohibited. The above drawing is subjected to change for improvement without prior notice.

ENGF-S 1