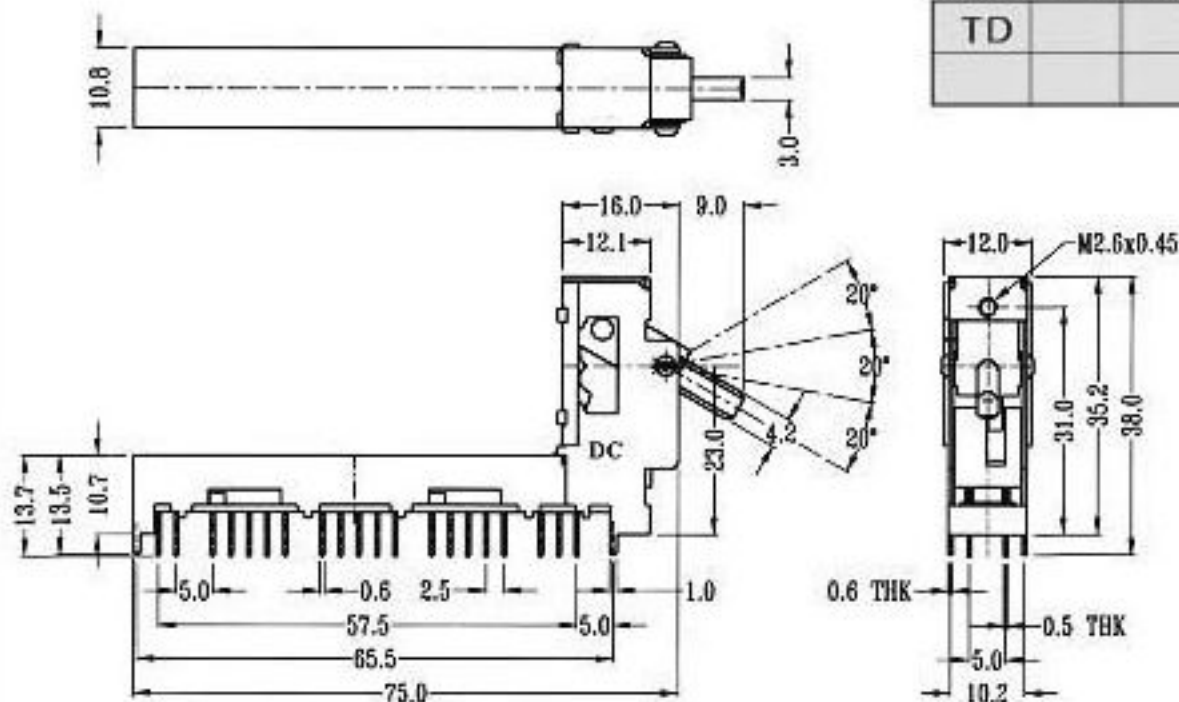


TS-84E03

Optional knob type

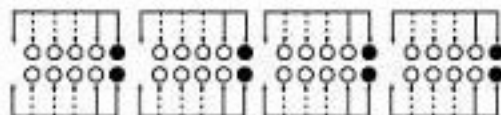
TD					



CIRCUIT DIAGRAM

SPECIFICATIONS

⚡ SHORTING



Rating : 0.3A 50V DC
Function: 8P4T