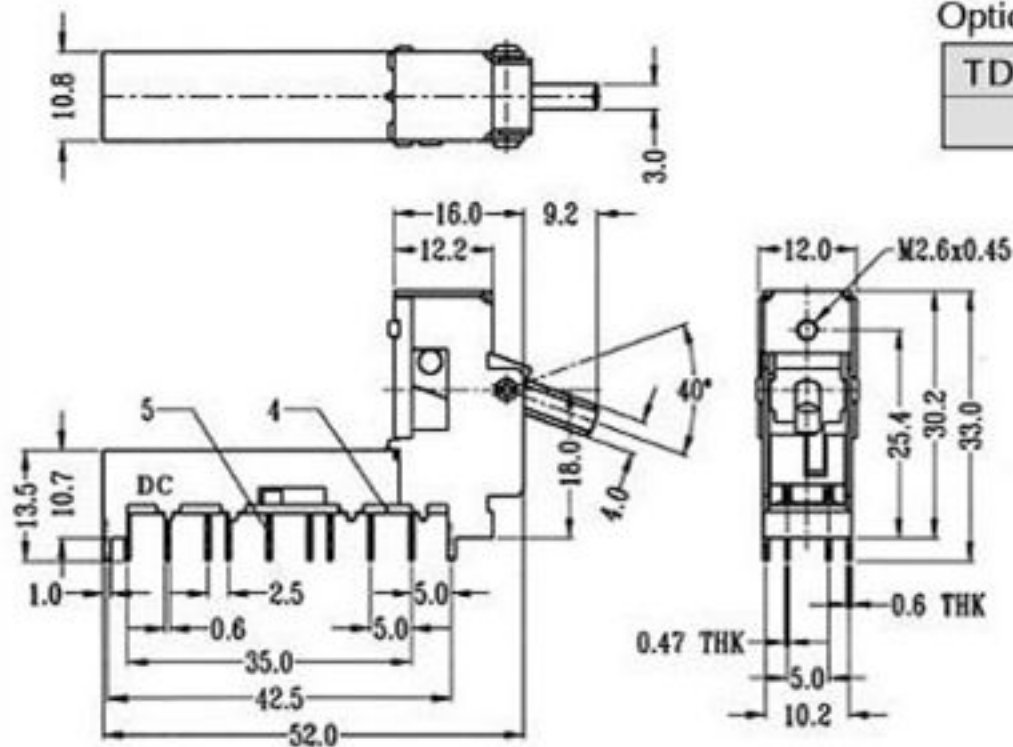


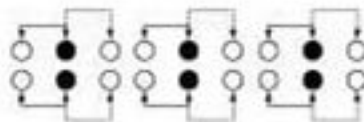
TS-62J01

Optional knob type

TD					



CIRCUIT DIAGRAM



SPECIFICATIONS

Rating : 0.3A 50V DC
Function: 6P2T

⚡ SHORTING