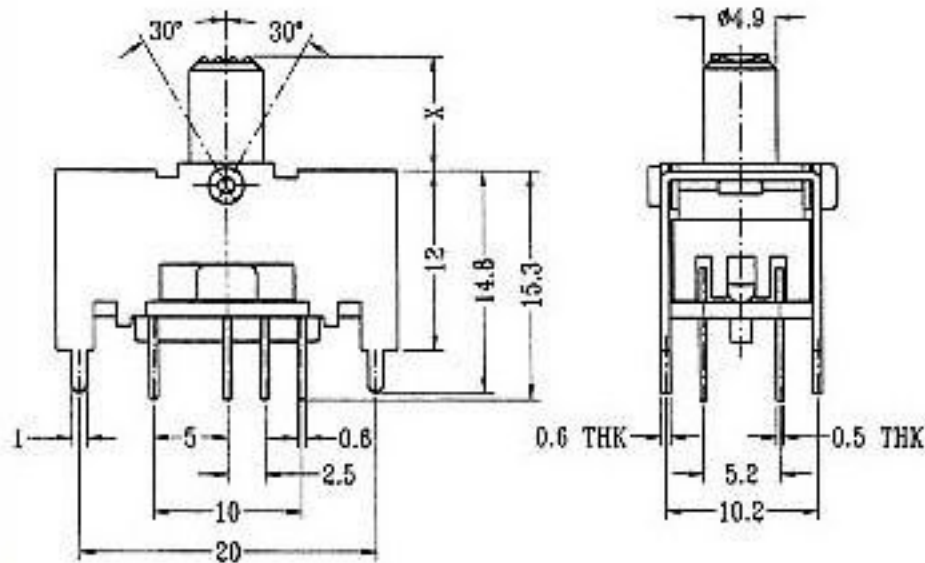
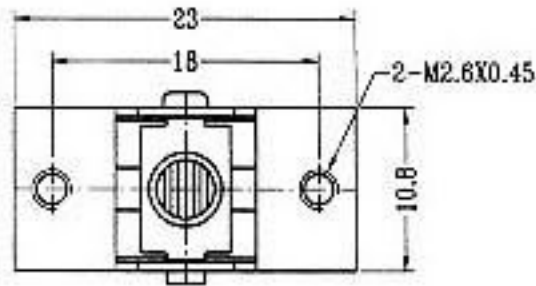


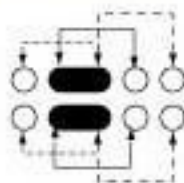
## TS-23E01

Optional knob type

AT	AY	NY	NT	TD	



### CIRCUIT DIAGRAM



### SPECIFICATIONS

⊗ SHORTING

Rating : 0.3A 50V DC  
Function: 2P3T