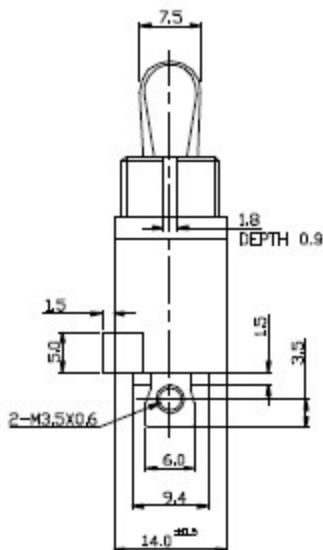
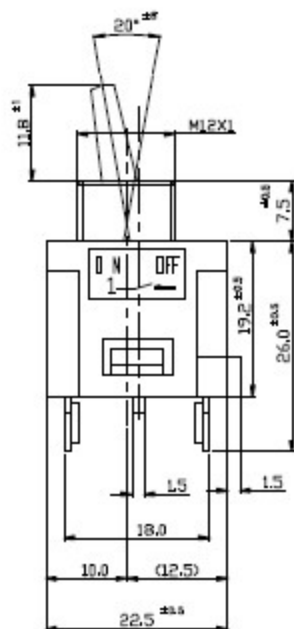




SCHEMATIC



ISSUED	SPECIFICATION (NORMAL)	TITLE: TOGGLE SWITCH 1P1T
	RATING: SA 125V AC	MODEL NO: STL106AT
	CONTACT RESISTANCE: Not more than 30mΩ	UNIT: mm
	INSULATION RESISTANCE: 100MΩ at 500V DC	SCALE: 2 : 1
	WITHSTAND VOLTAGE: AC 2000V for 1 min	TOLERANCE: ±0.20
	OPERATION FORCE: 600g ~ 1000g	APP:
	SWITCHING LIFE: 50,000 Cycles(5~10c/m loading)	Dim No:
BY:	毅永企業有限公司 E-YUNG ENTERPRISE CO., LTD.	A10313-01
DATE:		

The material contained in this drawing is the property of PIC. Any use other than that specifically authorized by PIC is prohibited. The above drawing is subjected to change for improvement without prior notice.