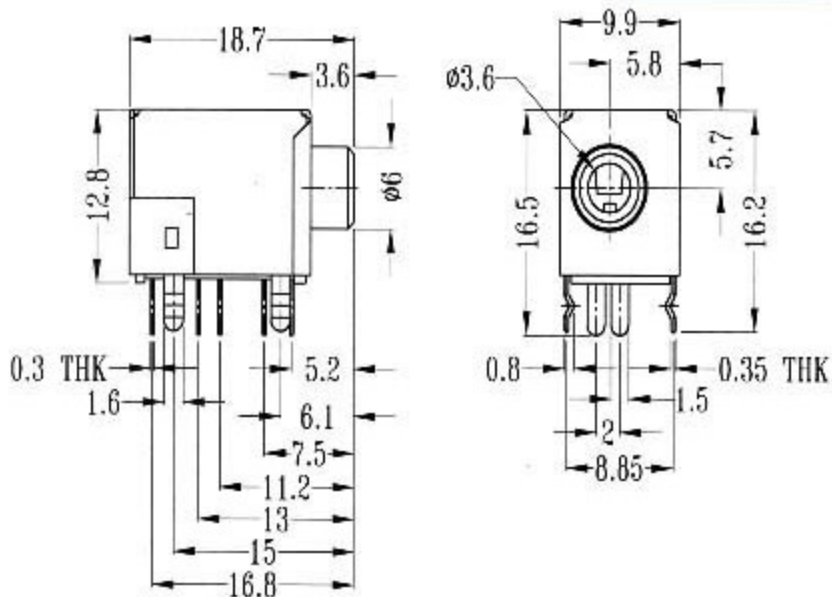


ST-217 SERIES
(METAL SHIELD TYPE)



CIRCUIT DIAGRAM



SPECIFICATIONS

Rating : 0.3A 30V DC
Funtion: STEREO (3.5mm)