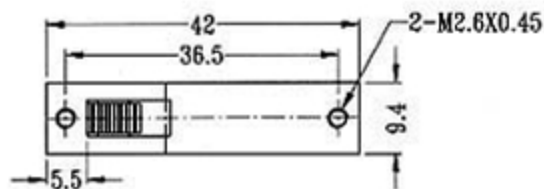
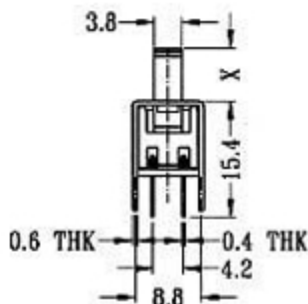
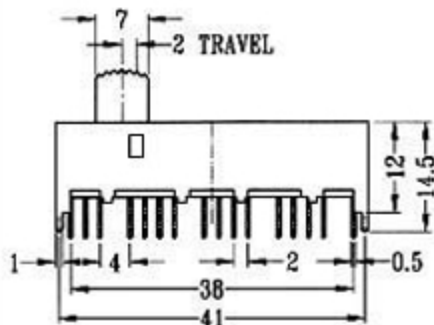


SS-83D01



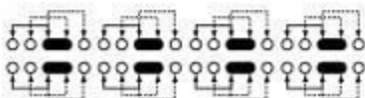
Optional knob type

GD	TA	MX			



CIRCUIT DIAGRAM

SPECIFICATIONS



Rating : 0.3A 50V DC

Function : 8P3T