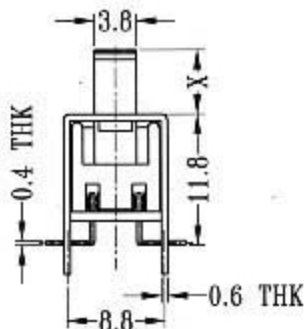
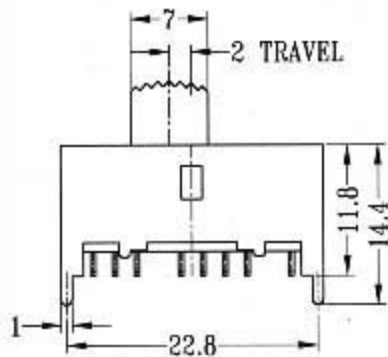
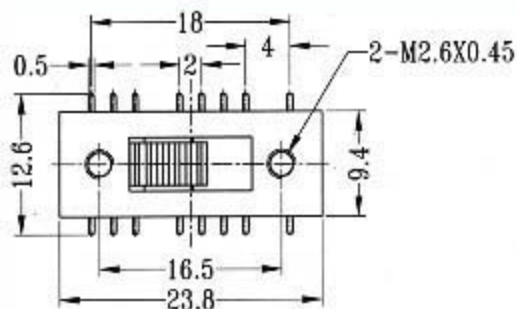


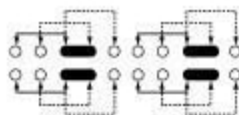
SS-43D21

Optional knob type

TA	GE	GD	MX	AT	NY



CIRCUIT DIAGRAM



SPECIFICATIONS

Rating: 0.3 A 50V DC
Function: 4P3T