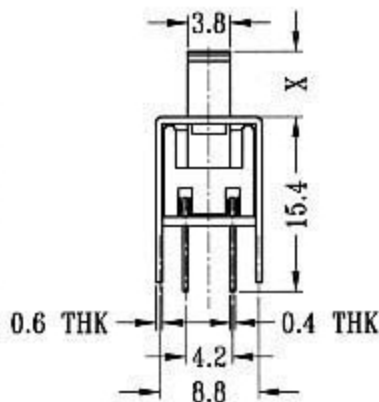
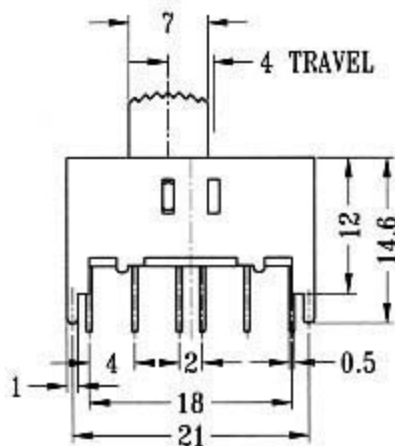


SS-42H38

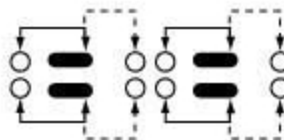
I knob type

GA	GD	GE	TA	MX	AT
NY					



CIRCUIT DIAGRAM

SPECIFICATIONS



Rating: 0.3A 50V DC
Function: 4P2T