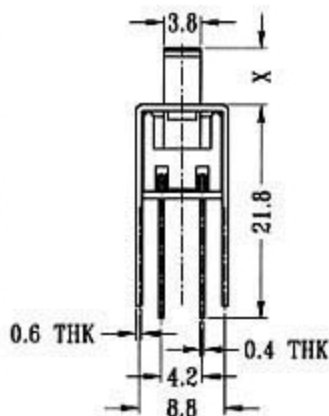
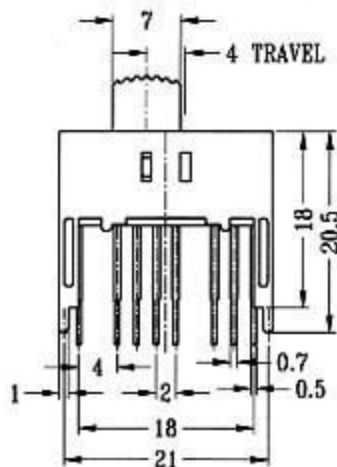
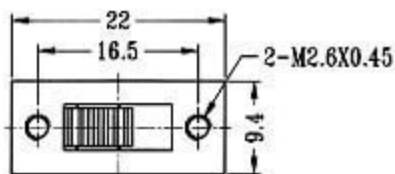


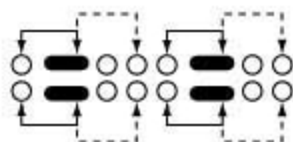
SS-42H10

Optional knob type

GA	GD	GE	TA	MX	AT
NY					



CIRCUIT DIAGRAM



SPECIFICATIONS

Rating: 0.3A 50V DC

Function: 4P2T