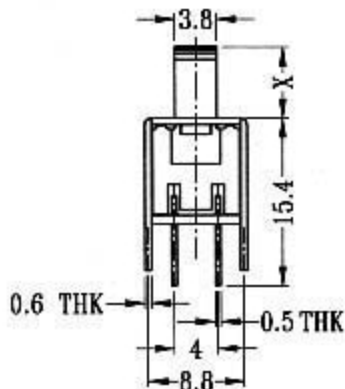
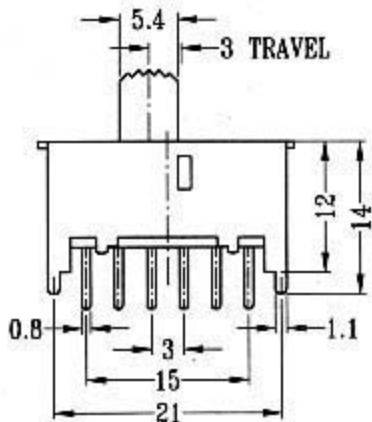


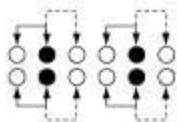
## SS-42F01

Optional knob type

GD	MX	AT	NY		



### CIRCUIT DIAGRAM



### SPECIFICATIONS

Rating: 0.3A 50V DC  
Function: 4P2T