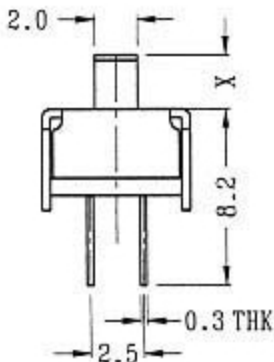
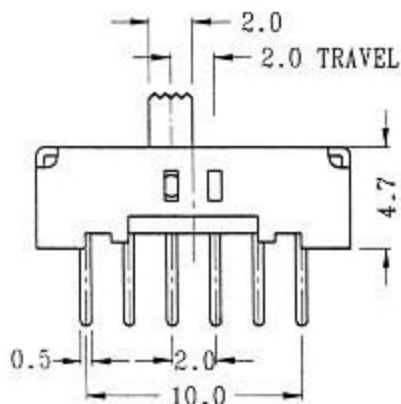


**SS-42D03**

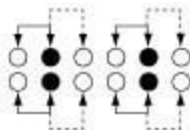
Optional knob type

GE	VA				



**CIRCUIT DIAGRAM**

**SPECIFICATIONS**



Rating: 0.3 A 50V DC

Function: 4P2T