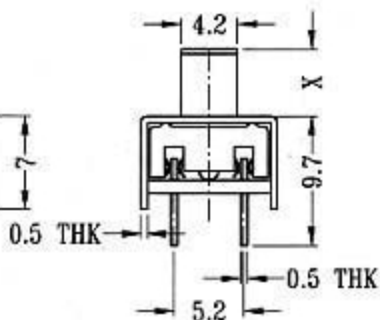
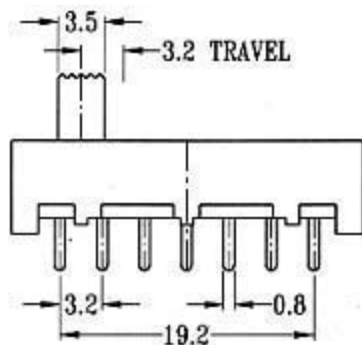
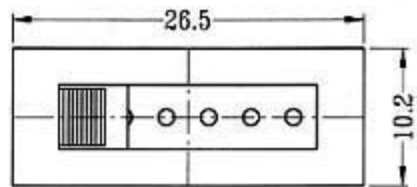


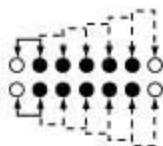
SS-26F01



Optional knob type

GE	NT				

CIRCUIT DIAGRAM



SPECIFICATIONS

Rating: 0.3A 50V DC

Function: 2P6T