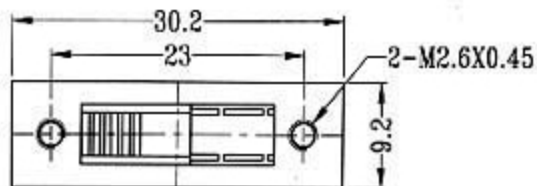
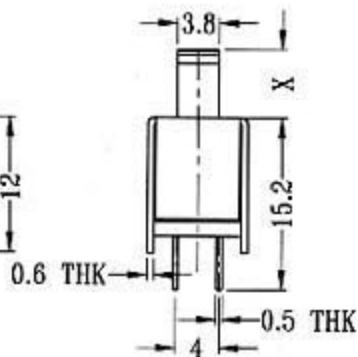
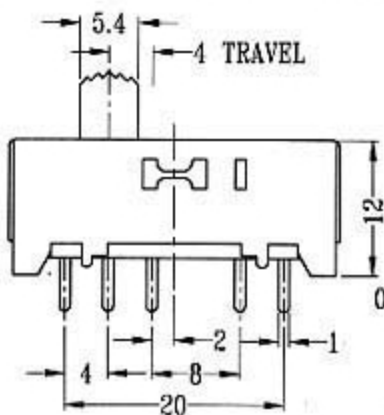


## SS-24H03



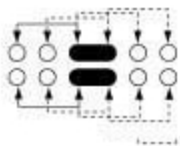
Optional knob type

MX	AT	NY	GD		



### CIRCUIT DIAGRAM

### SPECIFICATIONS



Rating: 0.3A 50V DC

Function: 2P4T