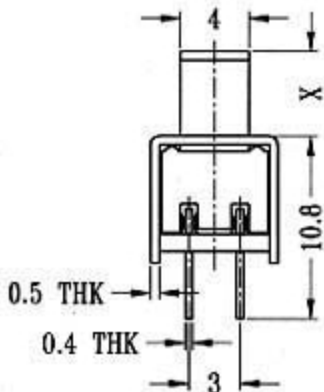
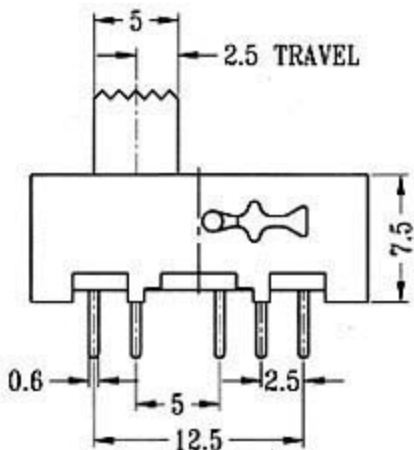
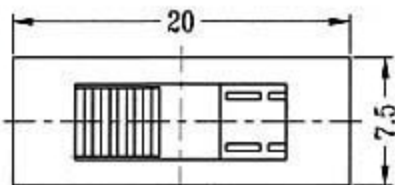


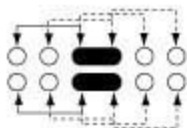
## SS-24E06

Optional knob type

<b>GD</b>				



### CIRCUIT DIAGRAM



### SPECIFICATIONS

Rating: 0.3A 50V DC

Function: 2P4T