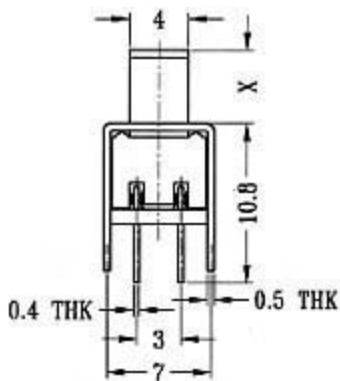
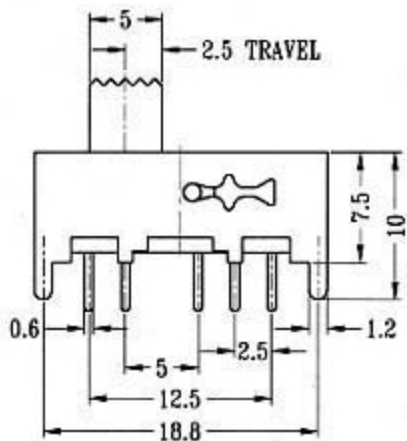
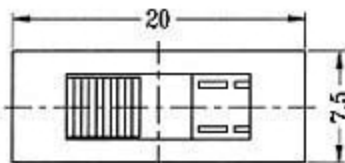


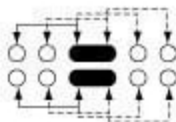
SS-24E02

Optional knob type

GE					
----	--	--	--	--	--



CIRCUIT DIAGRAM



SPECIFICATIONS

Rating: 0.3A 50V DC

Function: 2P4T