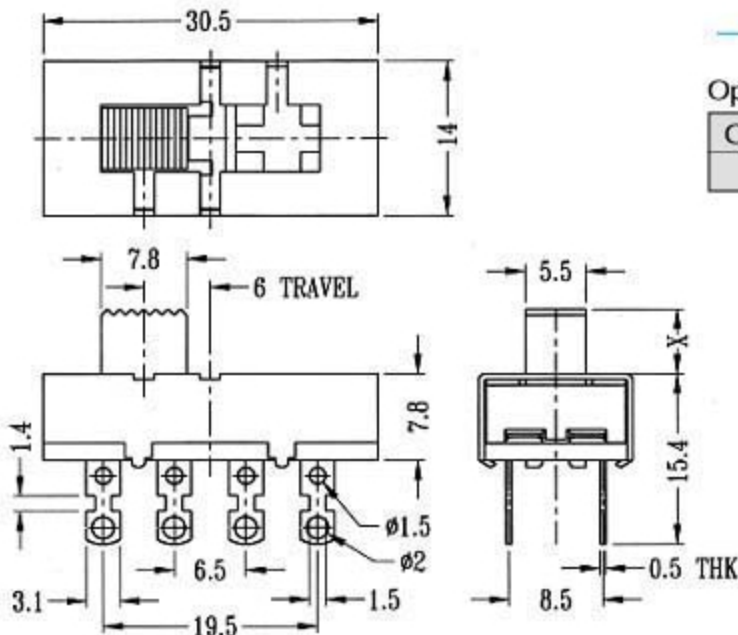


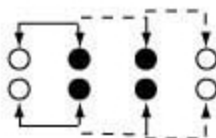
## SS-23L02

Optional knob type

GE	TA	UB	GD	VB	



### CIRCUIT DIAGRAM



### SPECIFICATIONS

Rating: 3A 250V AC  
Function: 2P3T