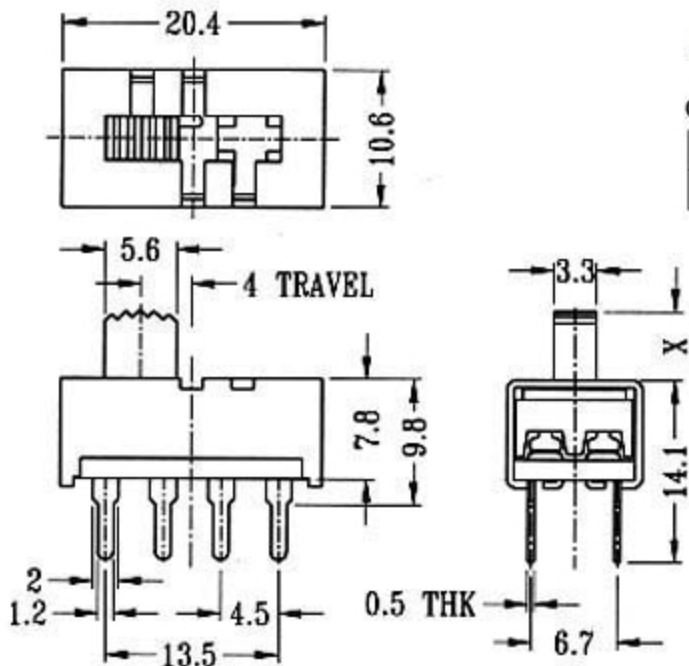


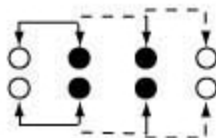
## SS-23H50

Optional knob type

GD					



### CIRCUIT DIAGRAM



### SPECIFICATIONS

Rating: 1A 125V AC  
Function: 2P3T