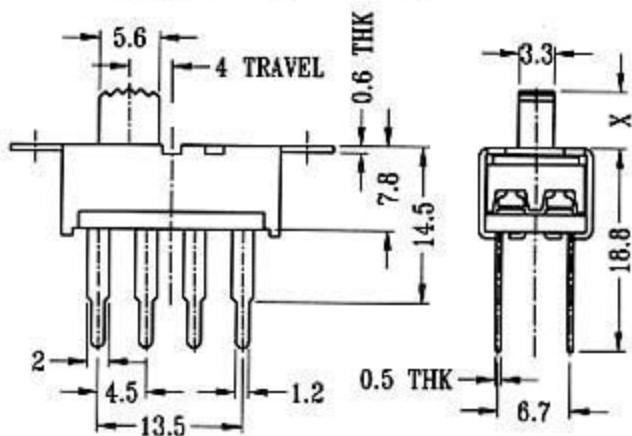
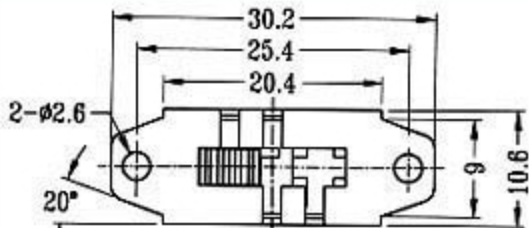


SS-23H49

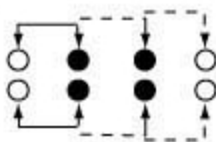
Optional knob type

GD				



CIRCUIT DIAGRAM

SPECIFICATIONS



Rating: 1A 125V AC
Function: 2P3T