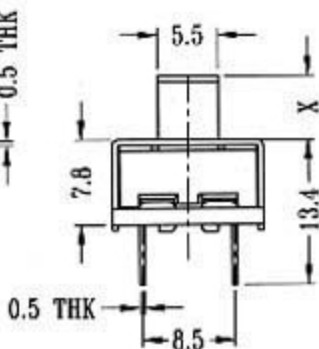
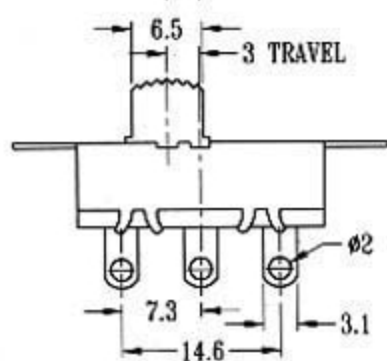
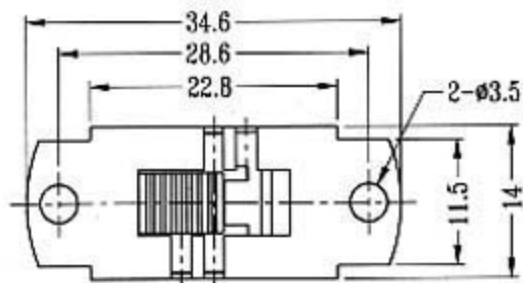


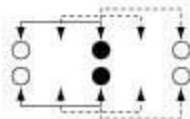
SS-23F54

Optional knob type

GE	TA	GD	UB		



CIRCUIT DIAGRAM



SPECIFICATIONS

Rating: 1.5A 250V AC

Function: 2P3T