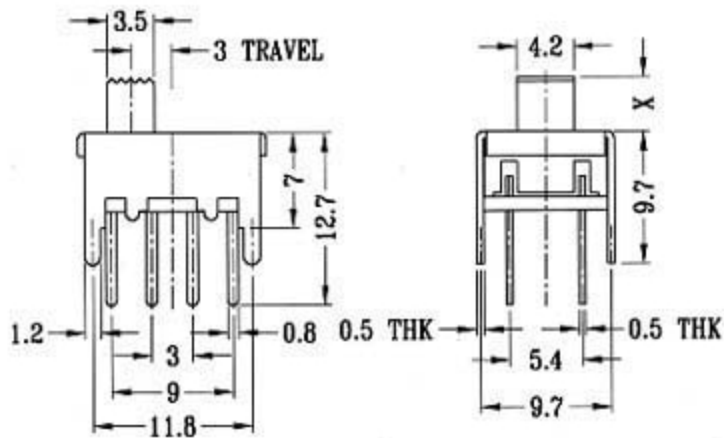
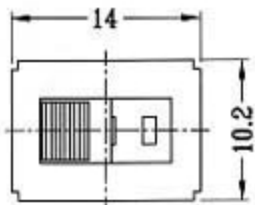


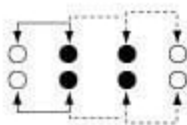
SS-23F46

Optional knob type

GE	NT	GA			



CIRCUIT DIAGRAM



SPECIFICATIONS

Rating: 0.3A 50V DC

Function: 2P3T