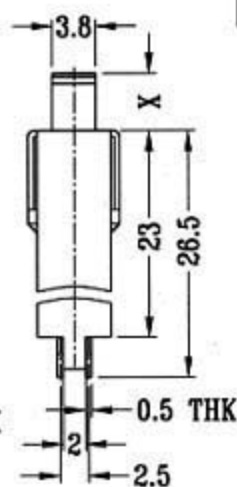
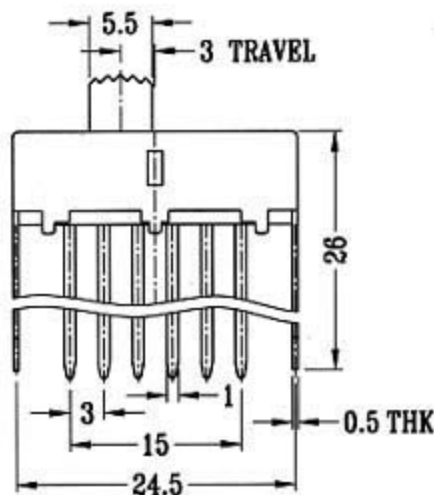
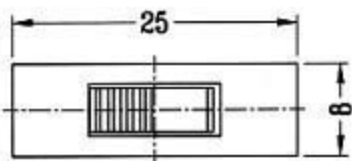


SS-23F25

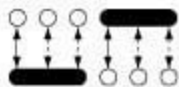
Optional knob type

MX	TA	GD	NY	AT	GE



CIRCUIT DIAGRAM

SPECIFICATIONS



Rating: 0.5A 50V DC
Function: 2P3T