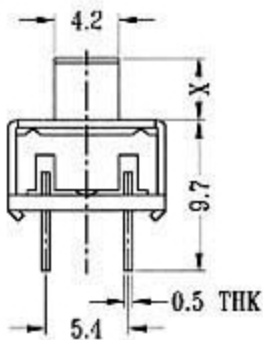
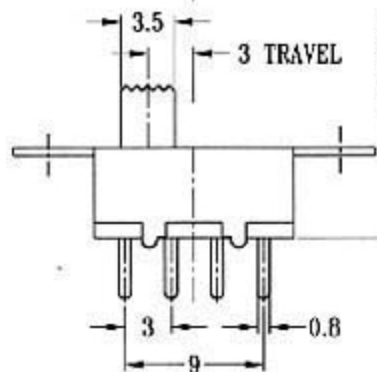
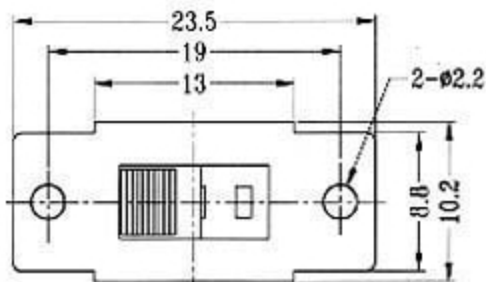


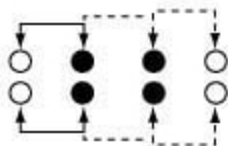
## SS-23F24

Optional knob type

GE	NT				



### CIRCUIT DIAGRAM



### SPECIFICATIONS

Rating: 0.3A 50V DC  
Function: 2P3T