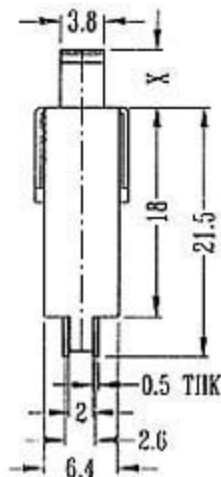
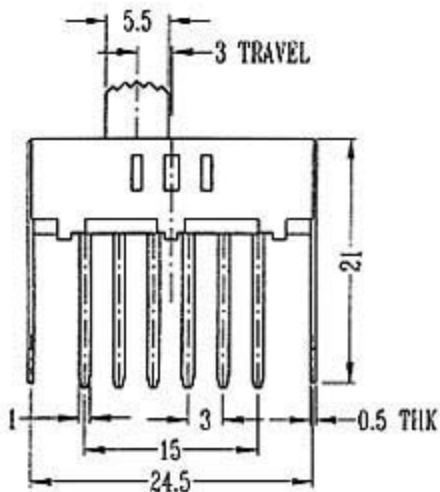
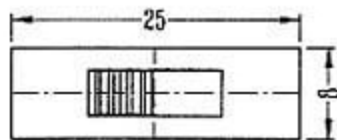


SS-23F16

Optional knob type

MX	TA	GD	NY	AT	GE
TA					



CIRCUIT DIAGRAM

SPECIFICATIONS



Rating: 0.5A 50V DC
Function: 2P3T