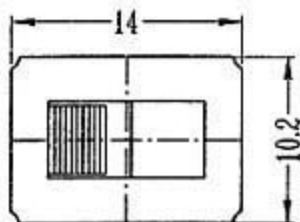
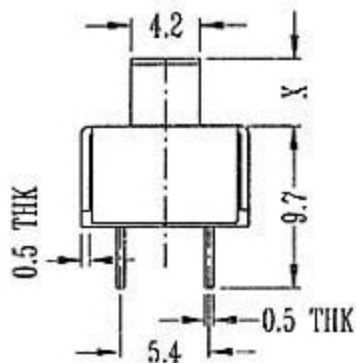
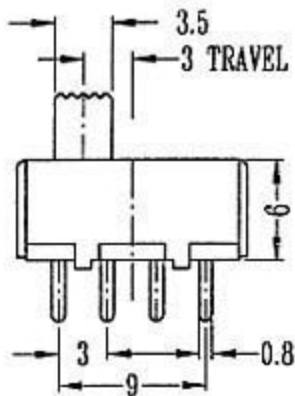


## SS-23F15

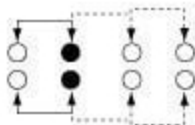


Optional knob type

GE	NT	GA			



### CIRCUIT DIAGRAM



### SPECIFICATIONS

Rating: 0.3A 50V DC

Function: 2P3T