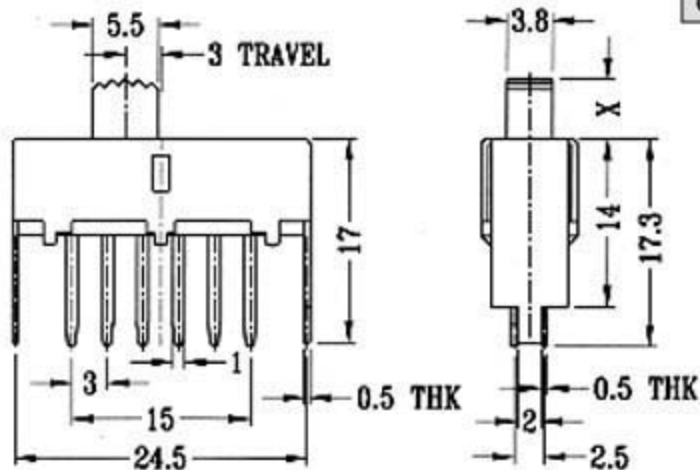
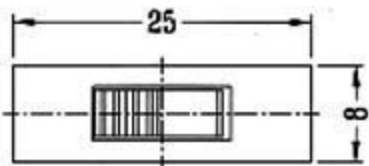


## SS-23F11

Optional knob type

MX	TA	GD	NY	AT	
GE					



### CIRCUIT DIAGRAM



### SPECIFICATIONS

Rating: 0.5A 50V DC  
Function: 2P3T

⚡ SHORTING