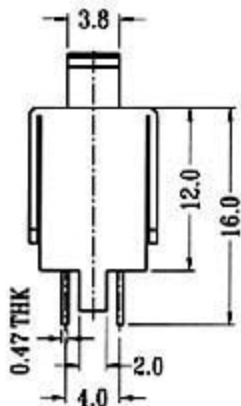
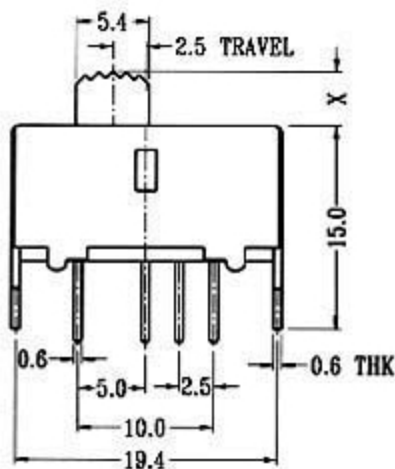
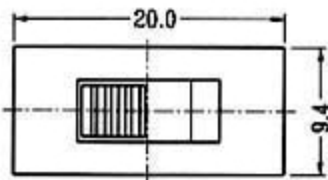


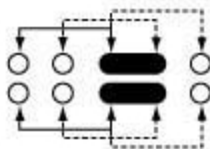
SS-23E01

Optional knob type

GE					



CIRCUIT DIAGRAM



SPECIFICATIONS

Rating:0.3A 50V DC
Function:2P3T