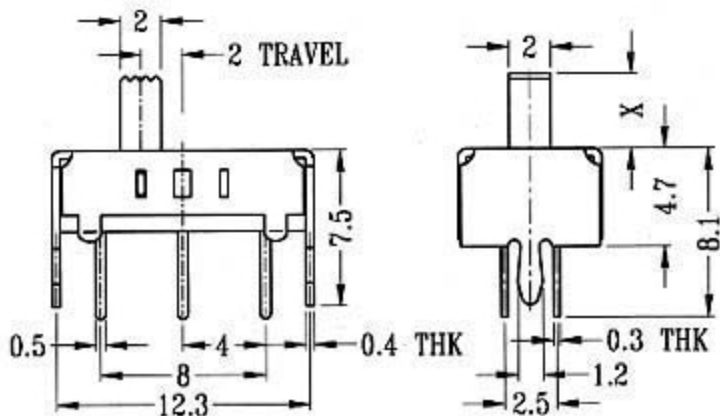
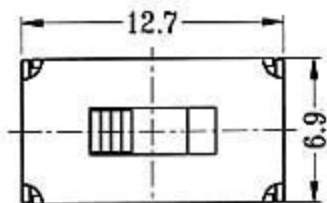


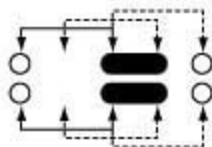
SS-23D16

Optional knob type

GE	PG	VA			



CIRCUIT DIAGRAM



SPECIFICATIONS

Rating:0.3A 50V DC

Function:2P3T