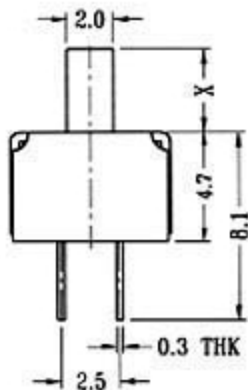
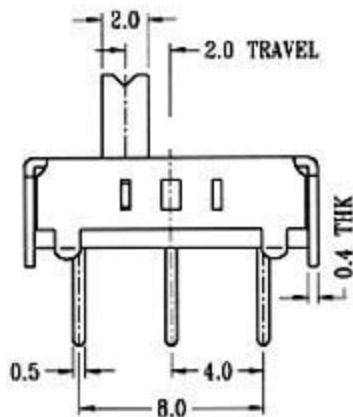
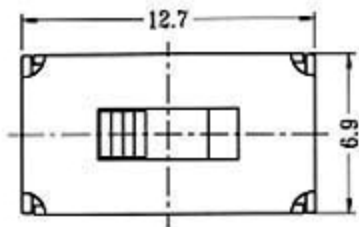


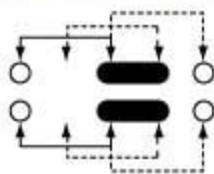
SS-23D11

Optional knob type

GD	TA	GE			



CIRCUIT DIAGRAM



SPECIFICATIONS

Rating: 0.3A 50V DC

Function: 2P3T