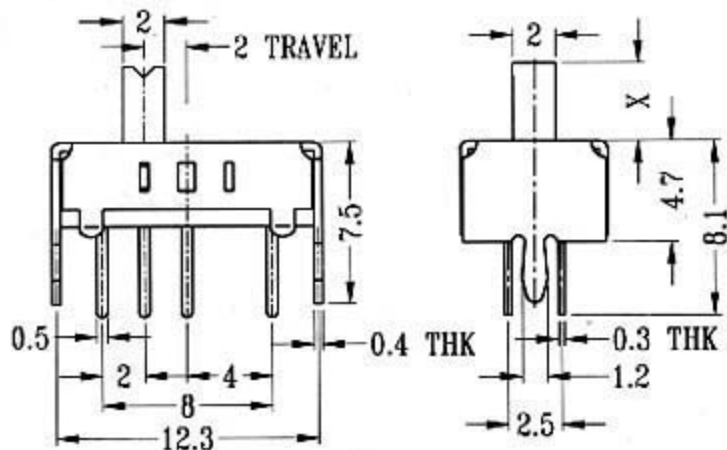
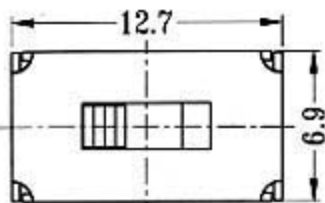


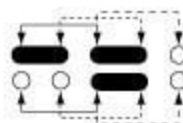
## SS-23D08

Optional knob type

GE	PG	VA			



### CIRCUIT DIAGRAM



### SPECIFICATIONS

Rating: 0.3A 50V DC  
Function: 2P3T