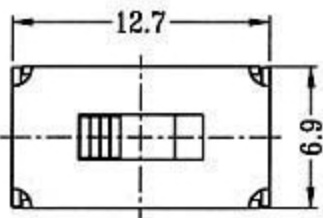
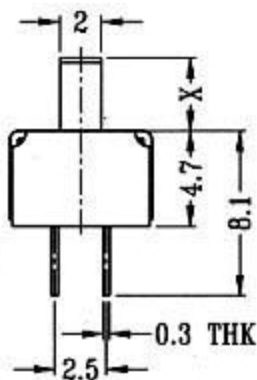
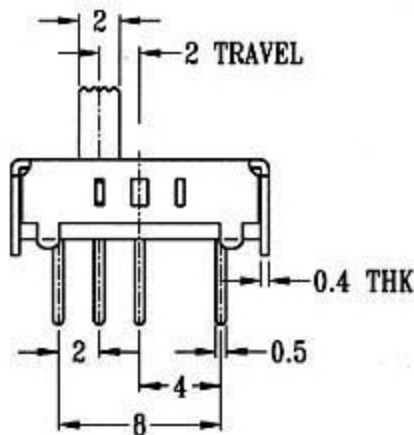


SS-23D07

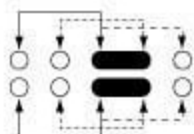


Optional knob type

GE					



CIRCUIT DIAGRAM



SPECIFICATIONS

Rating: 0.3A 50V DC

Function: 2P3T