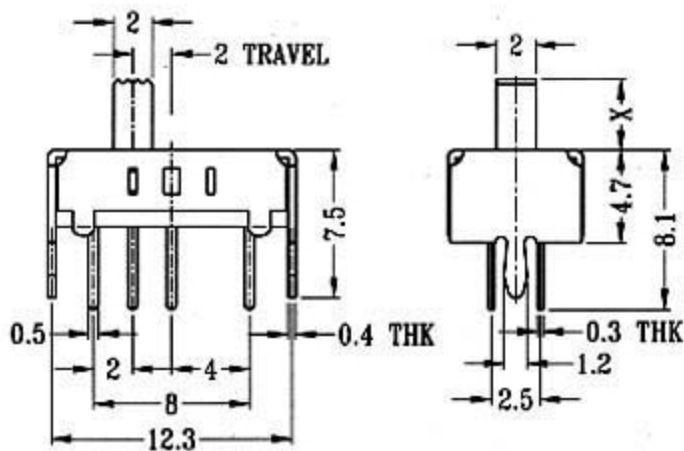
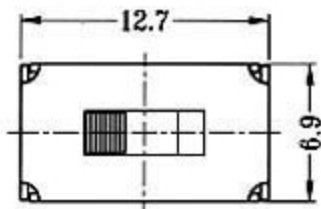


## SS-23D06

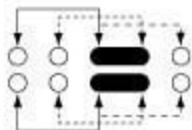
Optional knob type

GE				



**CIRCUIT DIAGRAM**

**SPECIFICATIONS**



Rating: 0.3A 50V DC  
Function: 2P3T