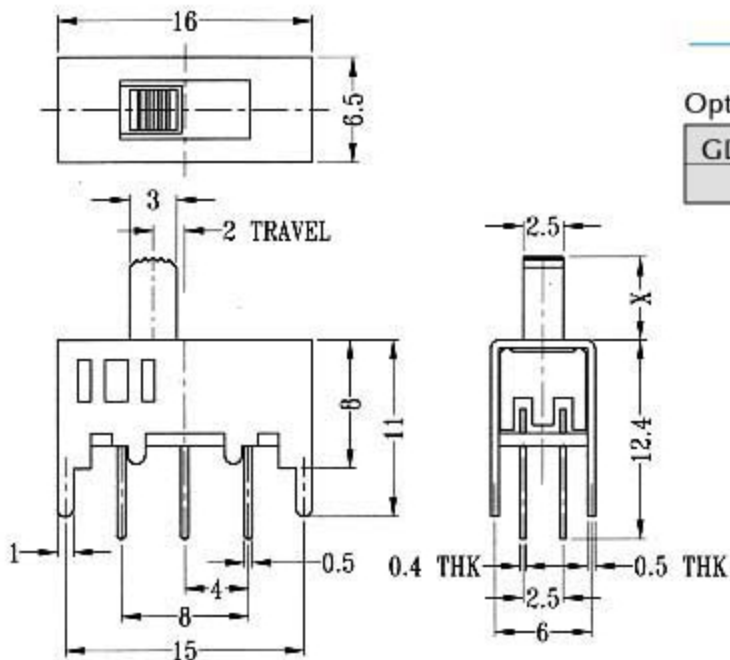


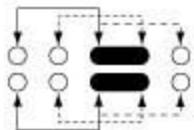
## SS-23D01

Optional knob type

|    |    |    |  |  |  |
|----|----|----|--|--|--|
| GD | TA | GE |  |  |  |
|    |    |    |  |  |  |



### CIRCUIT DIAGRAM



### SPECIFICATIONS

Rating: 0.3A 50V DC  
Function: 2P3T