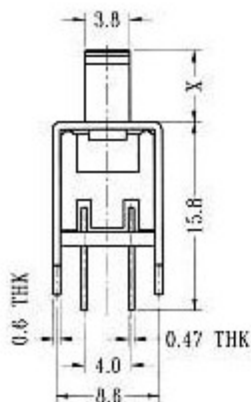
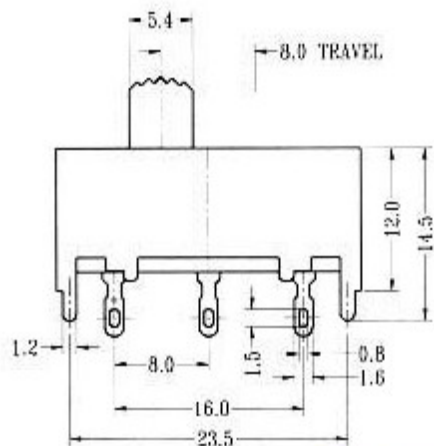


Optional knob type

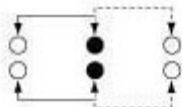
MX	AY	NT	GD		



CIRCUIT DIAGRAM

SPECIFICATIONS

⚡ SHORTING



Rating: 0.3A 50V DC

Function: 2P2T