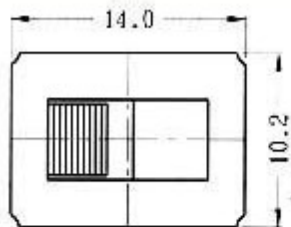
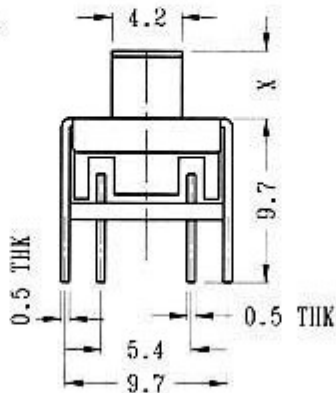
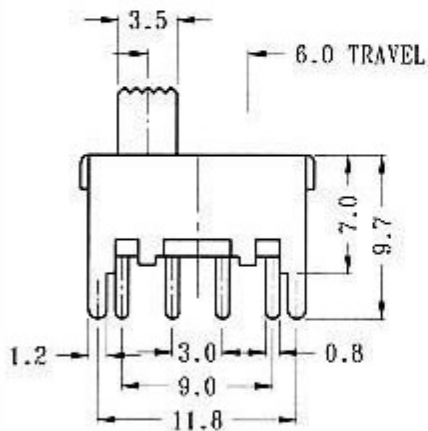


## SS-22L13



Optional knob type

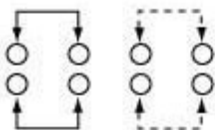
GB	NT				



**CIRCUIT DIAGRAM**

**SPECIFICATIONS**

⚡ SHORTING



Rating: 0.3A 50V DC  
Function: 2P2T