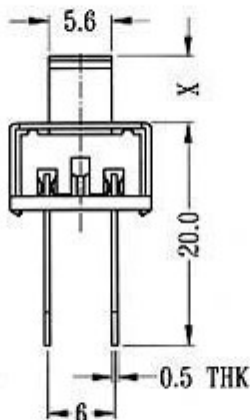
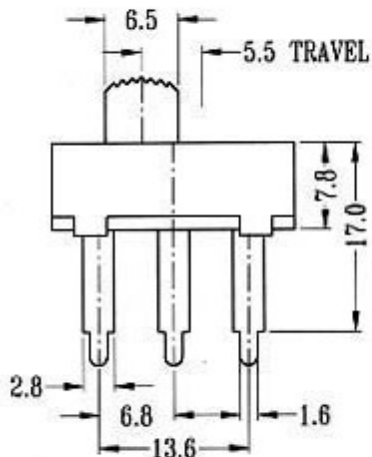
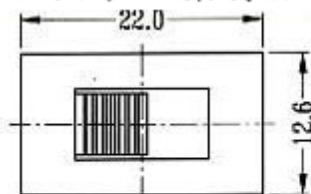


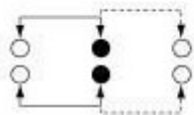
SS-22K44

Optional knob type

GD					



CIRCUIT DIAGRAM



SPECIFICATIONS

Rating: 1.5A 250V AC
Function: 2P2T

N NON-SHORTING