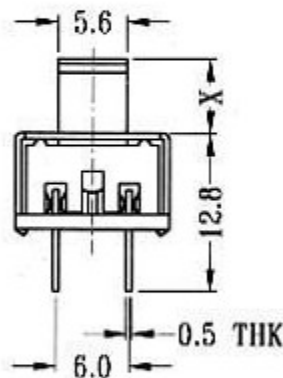
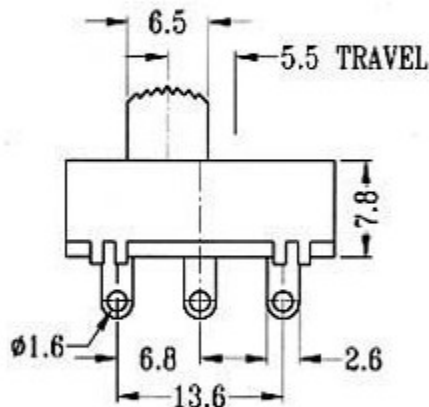
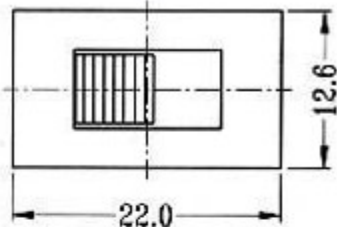


SS-22K36

Optional knob type

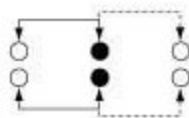
GD	TA				



CIRCUIT DIAGRAM

SPECIFICATIONS

N NON-SHORTING



Rating: 1.5A 250V AC
Function: 2P2T