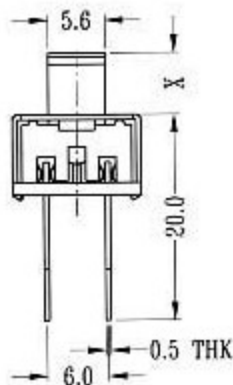
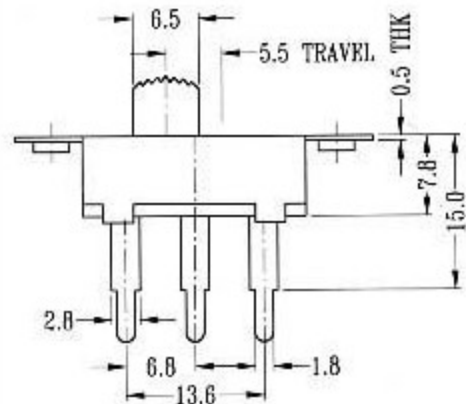
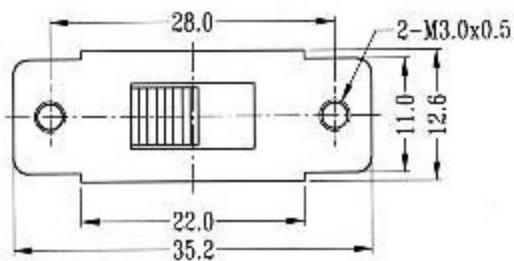


## SS-22K31

Optional knob type

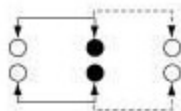
GD	TA	UB			



**CIRCUIT DIAGRAM**

**SPECIFICATIONS**

**NON-SHORTING**



Rating: 1.5 A 250V AC  
Function: 2P2T