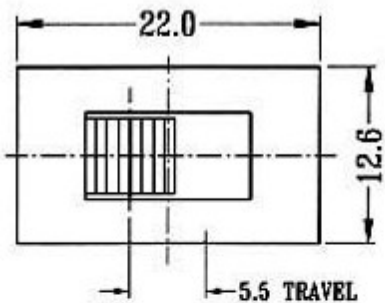
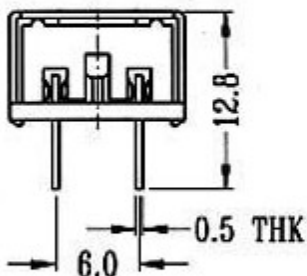
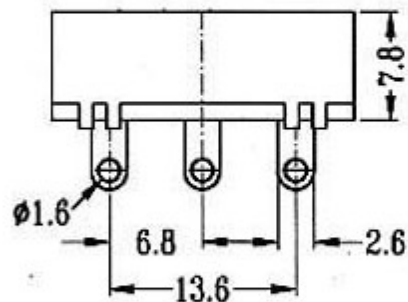


SS-22K26



Optional knob type

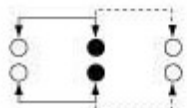
GD	TA	UB			



CIRCUIT DIAGRAM

SPECIFICATIONS

NON-SHORTING



Rating:1.5A 250V AC

Function:2P2T