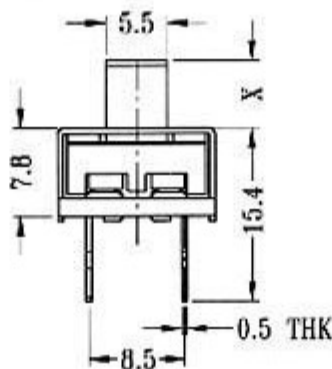
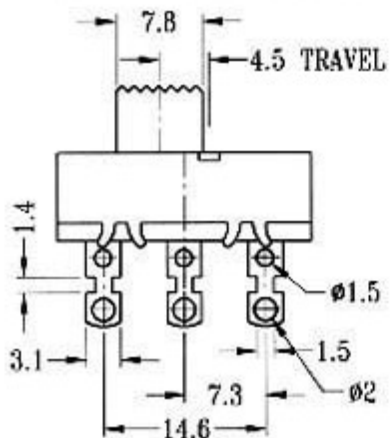


Optional knob type

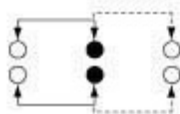
GE	GD				



**CIRCUIT DIAGRAM**

**SPECIFICATIONS**

**NON-SHORTING**



Rating: 1.5A 250V AC

Function: 2P2T