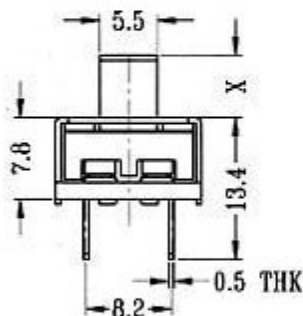
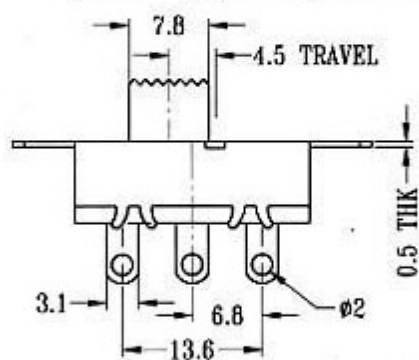


Optional knob type

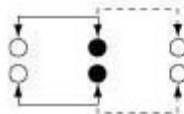
GE	TA	UB	VB	GD	UD



CIRCUIT DIAGRAM

SPECIFICATIONS

 NON-SHORTING



Rating:1.5A 250V AC
Function:2P2T