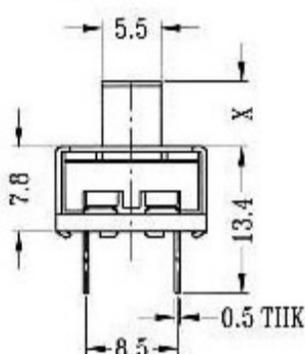
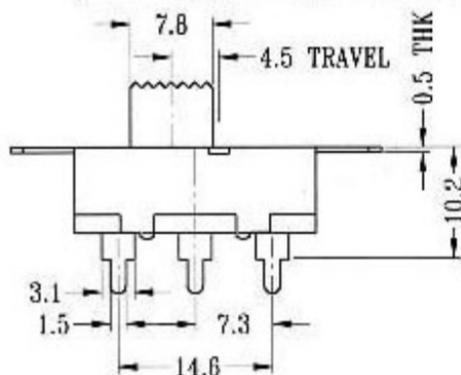
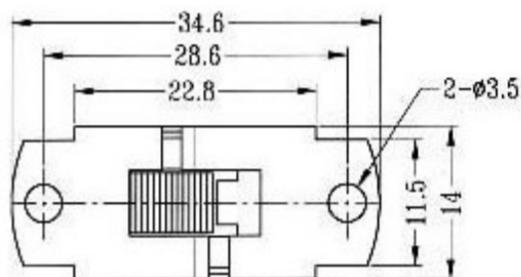


SS-22I13

Optional knob type

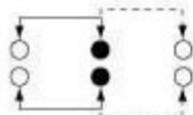
GE	GD				



CIRCUIT DIAGRAM

SPECIFICATIONS

NON-SHORTING



Rating:1.5A 250V AC

Function:2P2T