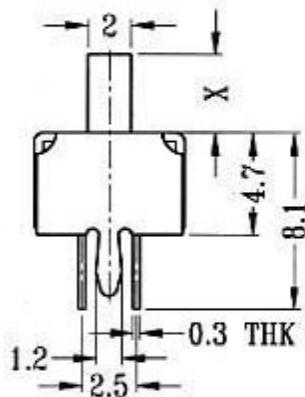
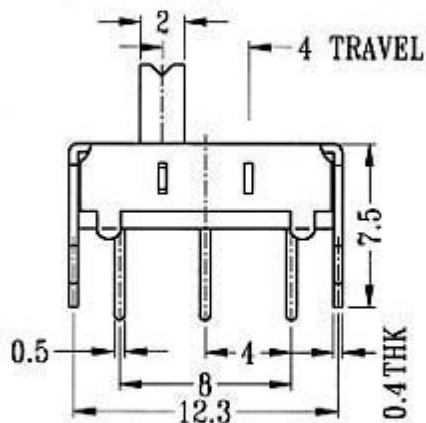


Optional knob type

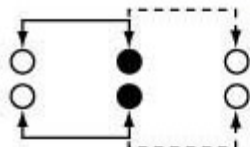
GE	PG	VA			



**CIRCUIT DIAGRAM**

**SPECIFICATIONS**

**NON-SHORTING**



Rating:0.3A 50V DC

Function:2P2T