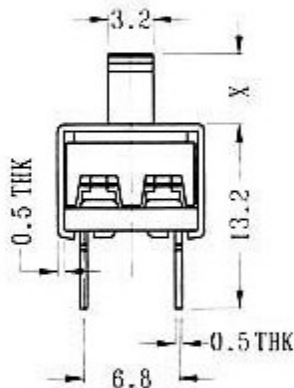
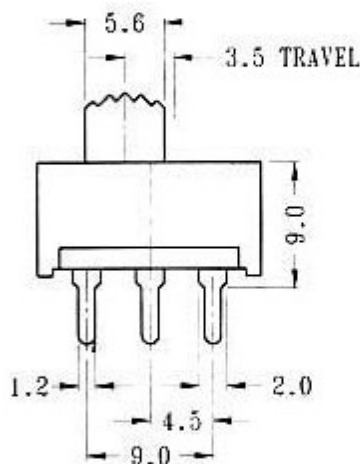
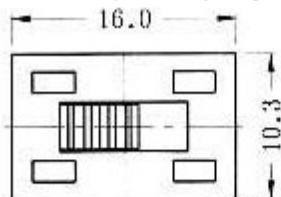


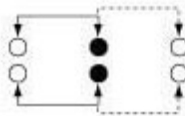
**SS-22G88**

Optional knob type

GD				



**CIRCUIT DIAGRAM**



**SPECIFICATIONS**

Rating: 1A 125V AC  
Function: 2P2T

**N** NON-SHORTING