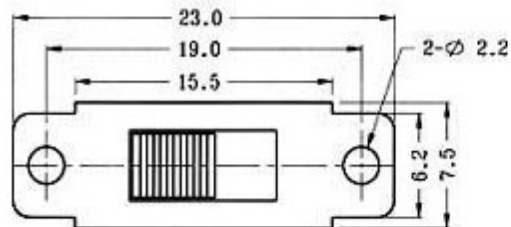
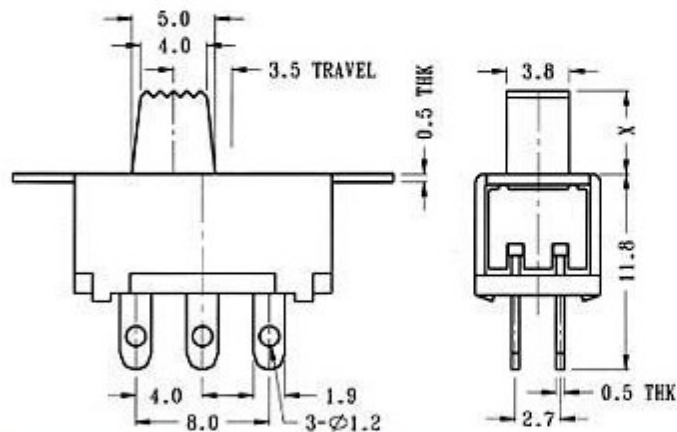


SS-22G32



Optional knob type

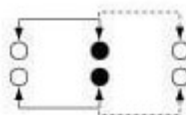
GA	GD				



CIRCUIT DIAGRAM

SPECIFICATIONS

 NON-SHORTING



Rating: 0.5A 50V DC

Function: 2P2T