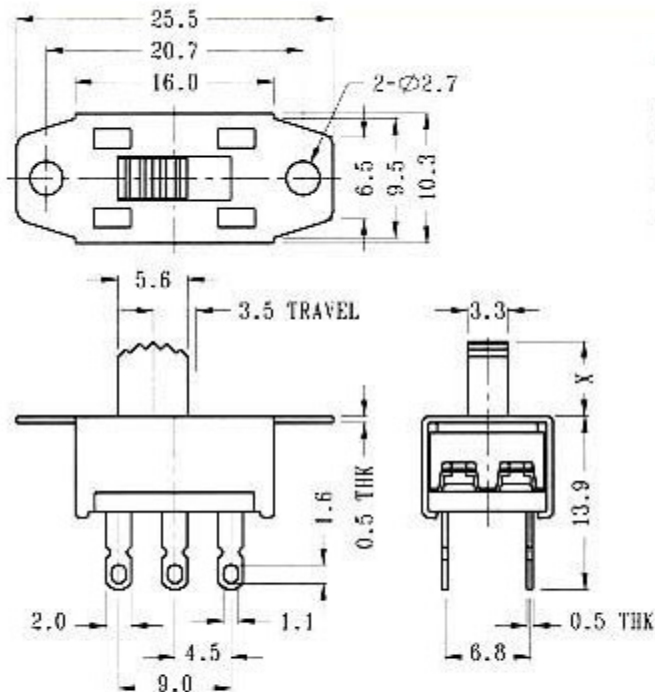


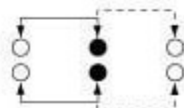
## SS-22G08

Optional knob type

GD	UB				



**CIRCUIT DIAGRAM**



**SPECIFICATIONS**

Rating: 1A 125V DC

Function: 2P2T

**NON-SHORTING**