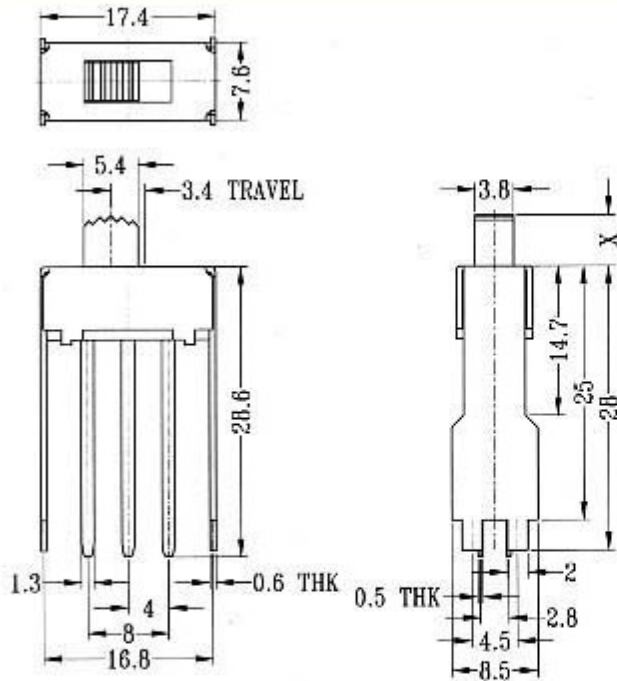


SS-22F70

Optional knob type

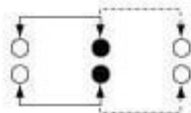
GD				



CIRCUIT DIAGRAM

SPECIFICATIONS

N NON-SHORTING



Rating: 0.3A 50V DC

Function: 2P2T