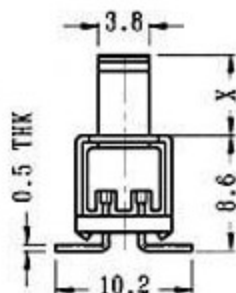
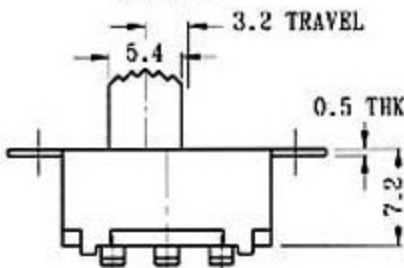
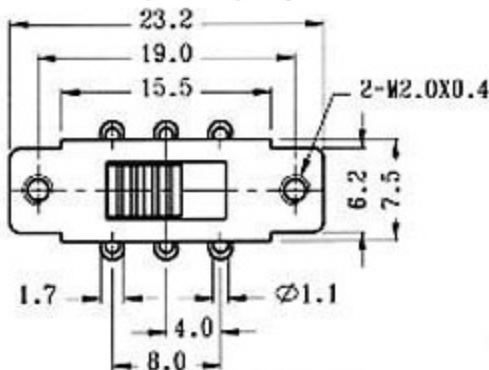


SS-22F65



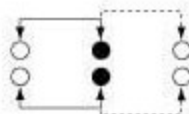
Optional knob type

GD	GA	GE			

CIRCUIT DIAGRAM

SPECIFICATIONS

N NON-SHORTING



Rating: 0.5A 50V DC

Function: 2P2T